

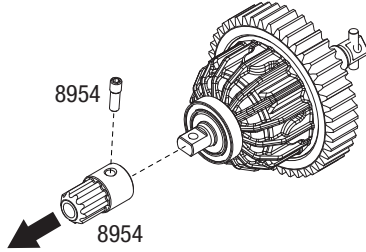


Transmission Output Gear Installation Instructions

Covers Parts #8984

A. CENTER DIFFERENTIAL

Remove the center differential; reuse bearings, drive hub and 3x10mm screw pin (part #8954) for installation of the output gear.

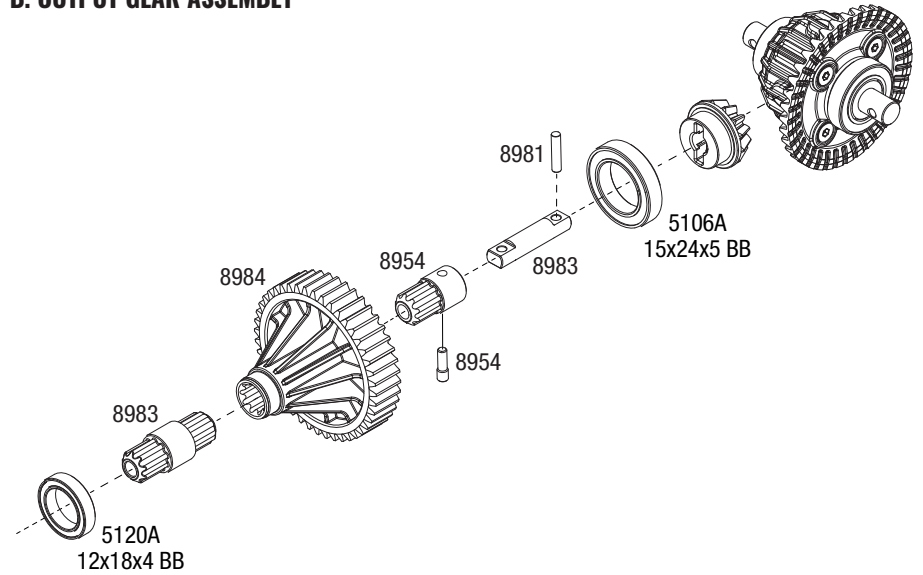


If you have questions or need technical assistance, call Traxxas at

1-888-TRAXXAS

(1-888-872-9927) (U.S. residents only)

B. OUTPUT GEAR ASSEMBLY



TRAXXAS.COM

Traxxas, 6250 Traxxas Way, McKinney, TX 75070, Phone: 972-549-3000, Fax: 972-549-3011, e-mail: support@Traxxas.com

KC3025-R00 Rev. 211104